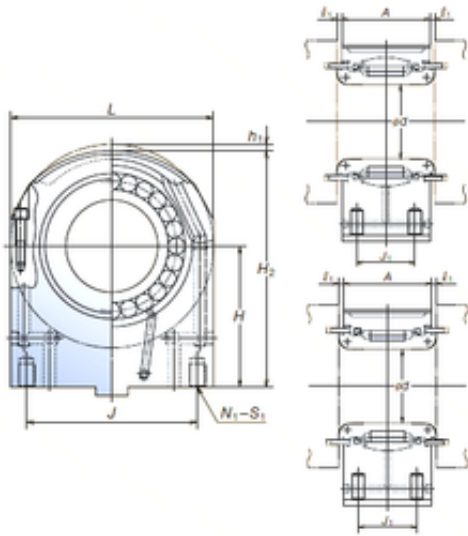




# BEARING CORP.OF CANADA LTD.



## NSK 120PCR2501 Cylindrical roller bearings

Bearing No. 120PCR2501

Bore Diameter	120 mm
d	120 mm
h1	11,5 mm
A	142 mm
H2	278,5 mm
J	190 mm
L	250 mm
	9 Tolerance h14
Thread (G)	M24

120PCR2501 Bearing 2D drawings and 3D CAD models