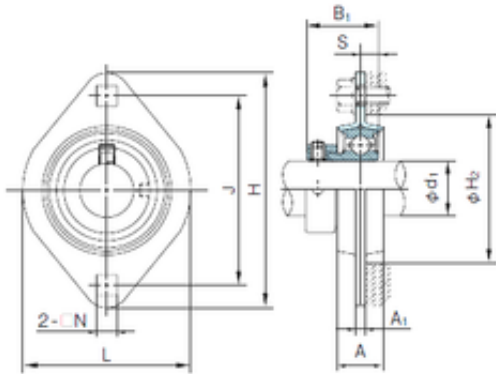




BEARING CORP.OF CANADA LTD.

NACHI KHPFL206A Bearing units



Bearing No. KHPFL206A

Bore Diameter	30 mm
d	30 mm
H	113 mm
A	18 mm
A1	5.2 mm
B	35.7 mm
H2	71 mm
J	90.5 mm
L	84 mm
N	11 mm
S	9 mm
Bolt (G)	M10

KHPFL206A Bearing 2D drawings and 3D CAD models