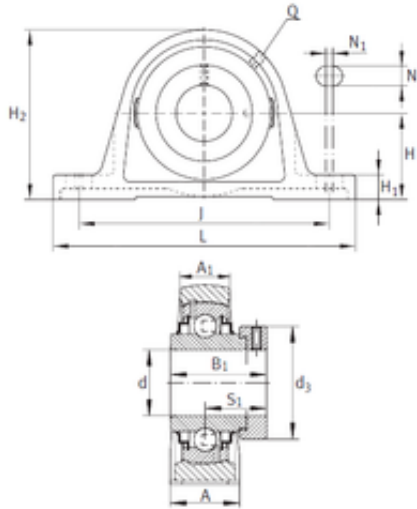




BEARING CORP.OF CANADA LTD.



INA RASE1 Bearing units

Bearing No. RASE1

Bore Diameter	25,4 mm
d	25,4 mm
S1	27,001 mm
Thread (Q)	1/8 NPT
d3	37,491 mm
A	37,008 mm
A1	21,997 mm
B	44,501 mm
H	36,526 mm
H1	15,494 mm
H2	71,451 mm
J	104,801 mm
L	139,7 mm
N	11,989 mm
N1	9,5 mm

RASE1 Bearing 2D drawings and 3D CAD models