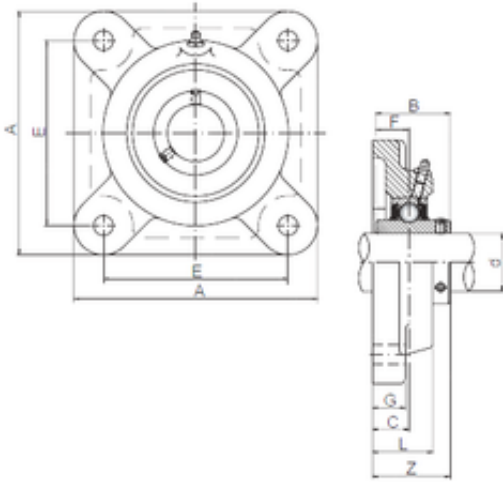




BEARING CORP.OF CANADA LTD.



ISO UCF206 Bearing units

Bearing No. UCF206

| | |
|---------------|---------|
| Bore Diameter | 30 mm |
| Width | 38,1 mm |
| d | 30 mm |
| Z | 40,2 mm |
| A | 108 mm |
| B | 38,1 mm |
| C | 18 mm |
| E | 83 mm |
| F | 15,9 mm |
| G | 14 mm |
| L | 31 mm |
| S | 12 mm |
| Bolt (G) | M10 |

UCF206 Bearing 2D drawings and 3D CAD models