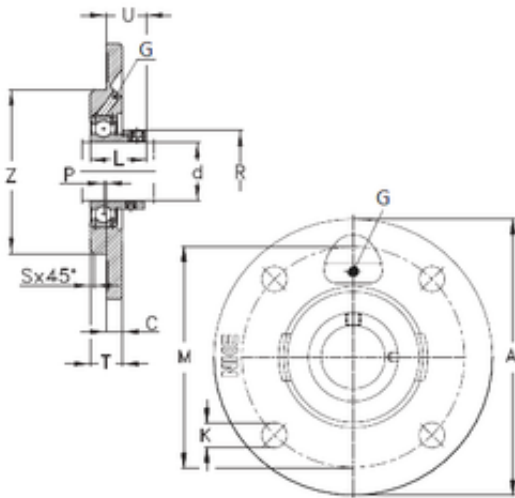




BEARING CORP.OF CANADA LTD.

NKE PMEY20-N Bearing units

Bearing No. PMEY20-N



PMEY20-N Bearing 2D drawings and 3D CAD models

Bore Diameter	20 mm
d	20 mm
P	2 mm
U	16 mm
K	9 mm
Z	62 mm
A	100 mm
C	8 mm
L	25 mm
M	78 mm
S	2 mm
T	17 mm
Thread (G)	M6