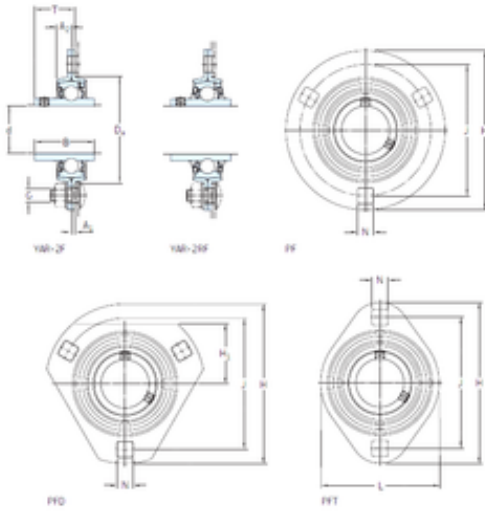




# BEARING CORP.OF CANADA LTD.



PFT 20 TF Bearing 2D drawings and 3D CAD models

## SKF PFT 20 TF Bearing units

Bearing No. PFT 20 TF

Bore Diameter	20 mm
Width	31 mm
d	20 mm
Da	55 mm
A1	2 mm
B	31 mm
G	8 mm
H	91 mm
H1	– mm
J	71,5 mm
L	67 mm
N	8,7 mm
T	20,3 mm
A2	8 mm
Weight	0,23 Kg
Basic dynamic load rating (C)	12,7 kN
Basic static load rating (C0)	6,55 kN
Housing material	Pressed steel
D <sub>a</sub> min.	51 mm
A <sub>1</sub>	2 mm
A <sub>2</sub>	8 mm
B <sub>4</sub>	4.5 mm
s <sub>1</sub>	18.3 mm
Basic dynamic load rating C	12.7 kN
Basic static load rating C <sub>0</sub>	6.55 kN
Fatigue load limit P <sub>u</sub>	0.28 kN



## BEARING CORP.OF CANADA LTD.

Limiting speed	8500 r/min
Mass bearing unit	0.24 kg
Thread grub screw G <sub>2</sub>	M6x0.75
Hexagonal key size for grub screw N	3 mm
Recommended tightening torque for grub screw	4 N · m
Recommended diameter for attachment bolts, mm G	8 mm
Recommended diameter for attachment bolts, inch G	0.3125 in