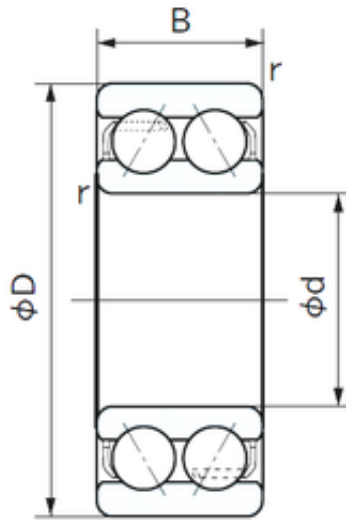




BEARING CORP.OF CANADA LTD.



70 mm x 150 mm x 63.5 mm NACHI 5314 Angular contact ball bearings

Bearing No. 5314

5314 Bearing 2D drawings and 3D CAD models

Size	70x150x63.5 mm
Bore Diameter	70 mm
Outer Diameter	150 mm
Width	63.5 mm
d	70 mm
D	150 mm
B	63.5 mm
C	63.5 mm
Angle ()	30 °
r min.	2.1 mm
Weight	4.88 Kg
Basic dynamic load rating (C)	163 kN
Basic static load rating (C0)	132 kN
(Grease) Lubrication Speed	3200 r/min
Category	Angular Contact Ball Bearings
Inventory	0.0
Manufacturer Name	NACHI
Minimum Buy Quantity	N/A
Weight / Kilogram	4.885
EAN	4991893606188
Product Group	B00152
Enclosure	Open
Flush Ground	No
Rolling Element	Ball Bearing



BEARING CORP.OF CANADA LTD.

Number of Rows of Balls	Double Row
Precision Class	ABEC 1 ISO P0
Maximum Capacity / Filling Slot	No
Snap Ring	No
Cage Material	Steel
Contact Angle	20 Degree
Internal Clearance	C0-Medium
Number of Bearings	1 (Single)
Inch - Metric	Metric
Long Description	70MM Bore; 150MM Outside Diameter; 63.5MM Width; Open; No Flush Ground; Ball Bearing; Double Row of Balls; ABEC 1 ISO P0; No Filling Slot; No Snap Ring
Category	Angular Contact Ball Bearing
UNSPSC	31171531
Harmonized Tariff Code	8482.10.50.28
Noun	Bearing
Keyword String	Angular Contact
Manufacturer URL	http://www.nachi.com
Manufacturer Item Number	5314 BNLS
Weight / LBS	10.76
Outside Diameter	5.906 Inch 150 Millimeter
Width	2.5 Inch 63.5 Millimeter
Bore	2.756 Inch 70 Millimeter
Configuration	Double Row
Bore Type	Cylindrical Bore
Bore Size	70 mm
Fillet Radius/Chamfer	2.1 mm
Dynamic Load Rating	163,000 N
Static Load Rating	132,000 N



BEARING CORP.OF CANADA LTD.

Limiting Speed - Grease	3,200 rpm
Limiting Speed - Oil	4,300 rpm
Radial Clearance	0.010 to 0.030 mm
da	82 mm138 mm
Dx	162 mm
ra	2 mm
Cy	7.4 mm