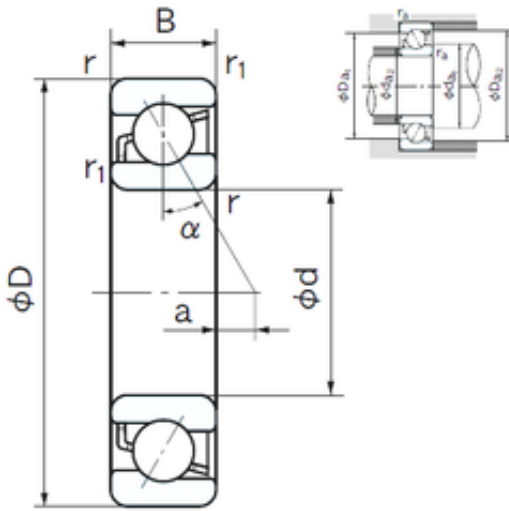




BEARING CORP.OF CANADA LTD.



130 mm x 280 mm x 58 mm NACHI 7326 Angular contact ball bearings

Bearing No. 7326

7326 Bearing 2D drawings and 3D CAD models

Size	130x280x58 mm
Bore Diameter	130 mm
Outer Diameter	280 mm
Width	58 mm
d	130 mm
D	280 mm
B	58 mm
C	58 mm
Angle ()	30 °
a	30.2 mm
r min.	4 mm
r1 min.	1.5 mm
da min.	148 mm
Da max.	262 mm
ra max.	3 mm
Weight	17.4 Kg
Basic dynamic load rating (C)	300 kN
Basic static load rating (C0)	330 kN
(Grease) Lubrication Speed	2200 r/min
Configuration	Single Row
Enclosure	Open
Bore Type	Cylindrical Bore
Bore Size	130 mm
Outside Diameter	280 mm
Width	58 mm



BEARING CORP.OF CANADA LTD.

Fillet Radius/Chamfer	4 mm
r1	1.5 mm
Dynamic Load Rating	300,000 N
Static Load Rating	330,000 N
Limiting Speed - Grease	2,200 rpm
Limiting Speed - Oil	2,900 rpm
da1 (min)	148 mm
da2 (min)	139 mm
Da1 (max)	262 mm
Da2 (max)	271 mm
ra (max)	3 mm
ra1 (max)	1.5 mm